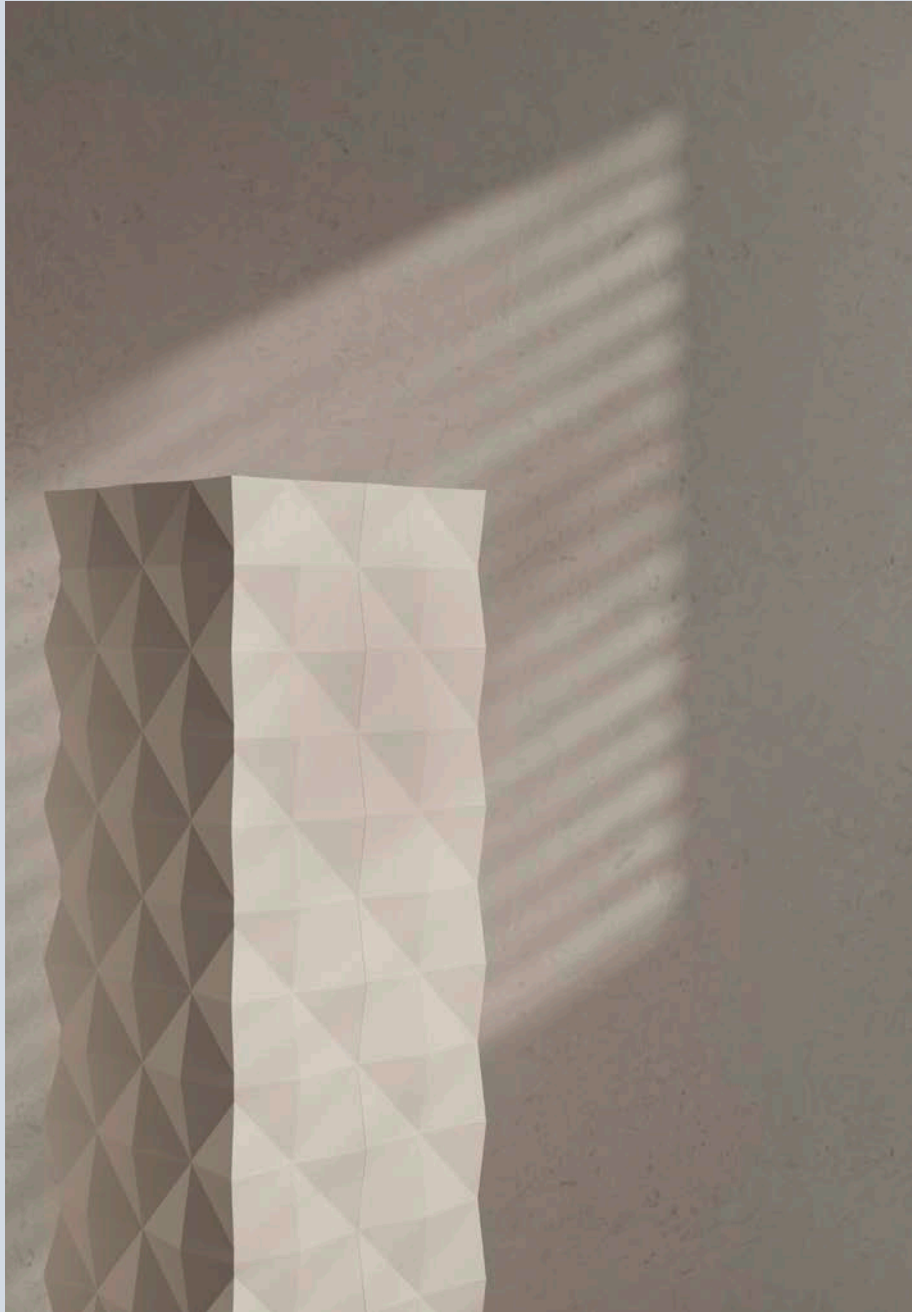




NOËL & MARQUET
DESIGN ELEMENTS

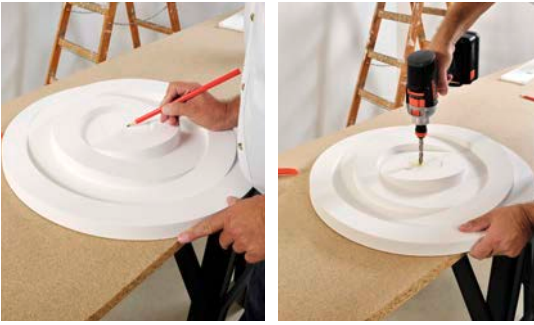


6

Design Elements

Installation manual

09-2022



PREPARATION

- Align the ceiling rose on the ceiling, measure and mark its position.
- If necessary, create an opening for the electrical cable and the light fixture (hole saw, cutter).



INSTALLATION

- Apply a bead of ADEFIX® adhesive along the whole edge of the ceiling rose (see GLUE CONSUMPTION).
- If necessary, use warm glue in addition.

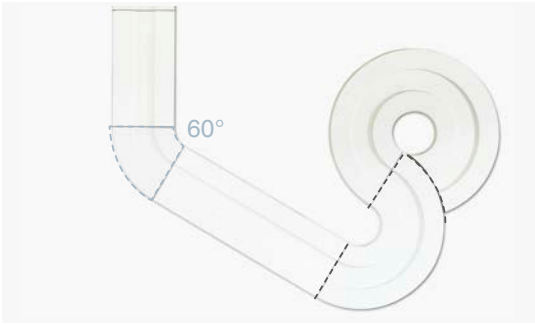


- Position the ceiling medallion on the ceiling, securing it as necessary with steel nails.
- Seal the surrounding joint with ADEFIX®.



- ARSTYL® ceiling roses are coated with a primer coat of paint at the factory.
- Ceiling roses are not suitable for supporting loads. The luminaires must be mounted in a solid support (ceiling).
- All products with a primer coat of paint and grouted areas must be covered with a finishing coating within 4 weeks after installation (see FINISH).
- If you use additional hot glue, it is generally not necessary to cool them in advance.
- If ceiling medallions are used close to light fixtures, the temperature must not exceed +70°C.
- ARSTYL® ceiling roses can also be used outdoors. In this case, their backside must be treated with a synthetic primer before use. Gluing and jointing must be carried out with DOMOSTYL® assembly adhesive (see FINISH).

R61 in combination with Z61



PREPARATION

- Align the ceiling rose, measure and mark its position.
- Mark the position of the chair rail. Measure angle, see drawing.



- Mark the outline of the curve.



- The back of the ceiling medallion is graduated every 5 degrees.



CUTTING

- Cut the ceiling medallion by hand using the HDPS/PU saw along the traced line.
- If the trace is curved, use a jig saw.



- Cut the mouldings to size and at the right angle in the mitre box using the HDPS-PU saw.
- Lightly sand the cut edges with fine Emery paper (150 grit or less) or a cutter and remove the dust with a damp sponge.





INSTALLATION

- Apply ADEFIX® adhesive generously to the back edge of the chair rail and the ceiling rose.
- Apply the ADEFIX® PLUS adhesive to the ends of the mitre to form a 3mm joint in width that does not form a bead when the separate elements are pressed together. If necessary, the adhesive can be removed with white spirit.

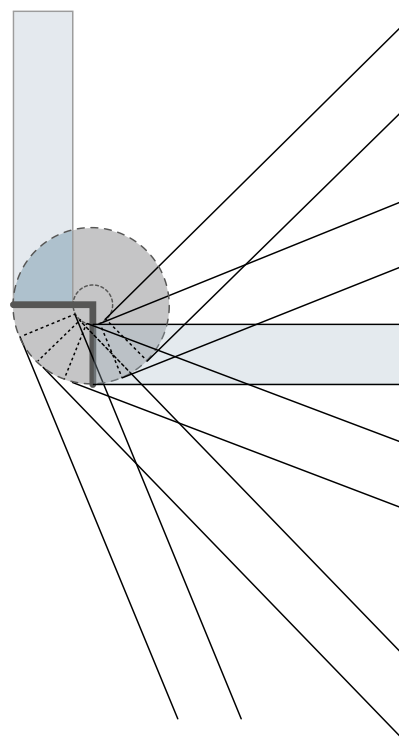


- Retouchal of the wall and ceiling joints as well as the mitres with ADEFIX® adhesive (see GLUE CONSUMPTION).



- Smooth the completed assembly with the NMC painter's spatula.
- Retouch all of the wall and ceiling joints as well as the mitres with ADEFIX® adhesive.
- Allow the glue to dry (min. 6 hours) then sand the outsides of the joints lightly (Emery paper 150 grit or less) and retouch them again with ADEFIX® adhesive.
- During the next 4 weeks, apply the final coating (see FINISH).

EXAMPLE OF CUT-OUTS AND FITTINGS





PREPARATION

- Determine the position of the pilaster. When installing in a passage, remember that the base and capital are larger than the fluted core.
- Adjust and mark the location with a spirit level or plumb line.



- Adjust the length of the pilaster.



CUTTING

- Cut the base to the right length (HDPS/PU saw).
- If there are skirtings, make the cut-out large enough.



- If the available height is less than 235 cm, the centre fluted section should be shortened by cutting the middle (two cuts). This eliminates the need to truncate the end of the splines.
- The pilaster can also be elongated in the same way.





- Lightly sand the cut edges with sandpaper and remove the dust.



INSTALLATION

- Apply a bead of ADEFIX® adhesive to the bonding surfaces on the back of the base.
- Position the base.
- Do the same for the fluted core and capital.



- Glue the vertical and mitre joints with ADEFIX® PLUS joint adhesive (see GLUE CONSUMPTION).



- Smooth with ADEFIX® adhesive.
- Allow a glue joint of at least 3 mm between the different parts of the pilaster.



- Allow the glue to dry (min. 6 hours) then sand the outsides of the joints lightly (sandpaper 150 grit or less) and retouch them again with ADEFIX® adhesive.





- Grout the outside joints with ADEFIX® adhesive.



- ARSTYL® pilasters are covered with a coating of primer at the factory.
- Coat all products with primer; grouted and filled areas must be covered with a final coating within two weeks after installation (see FINISH).



If you have to place a large moulding between the wall and the ceiling, you can skip the capital. Instead, you can put the moulding around the central part of the fluted pilaster, for example, here, with Z40 ARSTYL®.





PREPARATION

- The finish coating can in most cases be applied to the panels before assembly (see FINISH).
- Prepare the panels, lightly sand edges if necessary with sandpaper (grit 150 or less).
- Wipe edges and panel surface with a damp sponge and dry.
- We recommend to paint edges of all wall panels before the installation.



INSTALLATION

- Measure out the wall and establish the position of the individual panels using the spirit level.



We recommend beginning the installation in the middle of the wall, so that the panels can later be trimmed to size in the wall and ceiling connection area in order to even out areas where the course of the wall or ceiling is not straight.



- Mark the bottom and lateral positioning.



- Align and mark the lower laying line with the spirit level.



- On the lower laying line, use nails and wooden battens if necessary or nail clamps.



- Clamp the adhesive cartridge, cut cartridge nozzle (diameter 5-8 mm).



- Apply a continuous line (bead) of ADEFIX® PLUS mounting adhesive to the rear mounting surfaces (see GLUE CONSUMPTION).



- Note the directional arrows on the back of the panels, they must point in the same direction.



- Position the panels and embed them with a sliding movement in the adhesive bed.





- With the LIQUID and WAVE models, the use of spacers is recommended to keep the distance between the panels uniform. For the other models, spacers can be dispensed with.
- Through the use of tile spacers, the substrate becomes visible in this area. These areas must be painted appropriately, e.g. in the color of the panels, before installing the panels.



Butt joint areas must not be glued or grouted. It should be noted that the connection point remains slightly visible after completion. This is not a reason for complaint.



- Measure the size of the panels to be trimmed in the wall and ceiling connection area and transfer to the back of the panels.

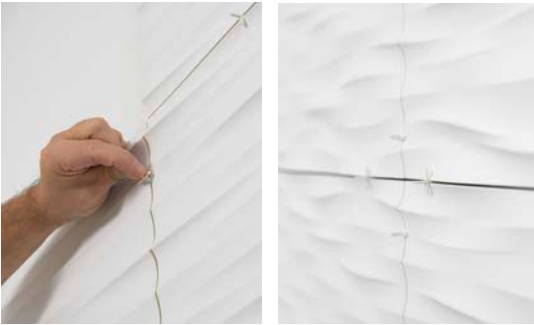


- Cut the panels to fit (Hand saw with set beam or circular saw with rail).





- Further procedure as before.



- Professionally grout the ceiling and wall connection area with ADEFIX® adhesive filler.
- After drying (min 6h), the spacers can be removed



- If final painting has not been undertaken before assembly, apply the final coat of paint to the panels after drying (approx. 6 hours) and within 4 weeks (see FINISH).



- With polyurethane materials there may be a slight dimensional change at increased temperature and humidity. A joint up to 2 mm can arise due to these material-specific properties at the panel joint area. This is not a reason for complaint.
- The back of the wall panels is uneven and has cavities. If a panel is mounted such that a cut-side remains visible, it can be smoothly filled with ADEFIX® PLUS and ADEFIX®. In this case, make sure that the upper surface levelling coat is made only with ADEFIX®.
- A mitre cut is not recommended.
- Holes and cut outs can be made with standard hole saws, angular cut outs with a jig saw.

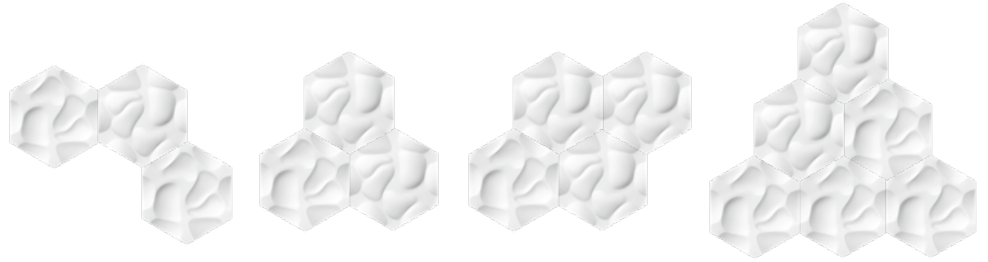




VARIED AND CREATIVE WALL INSTALLATION OPTIONS

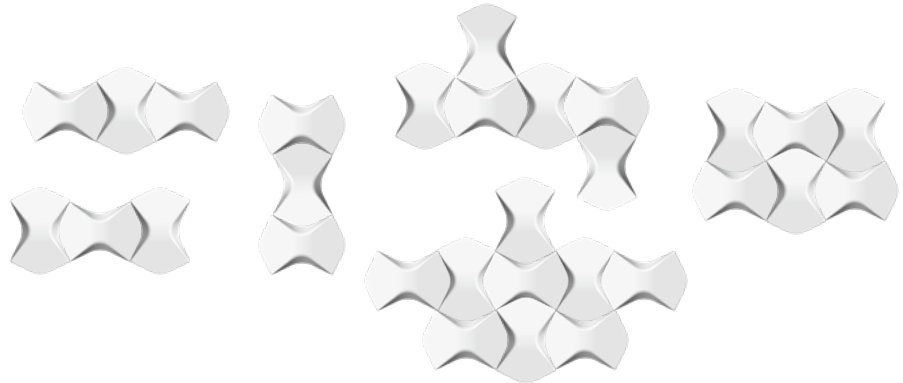
CORAL

The reference CORAL can be combined in any order; all 6 sides fit accurately.



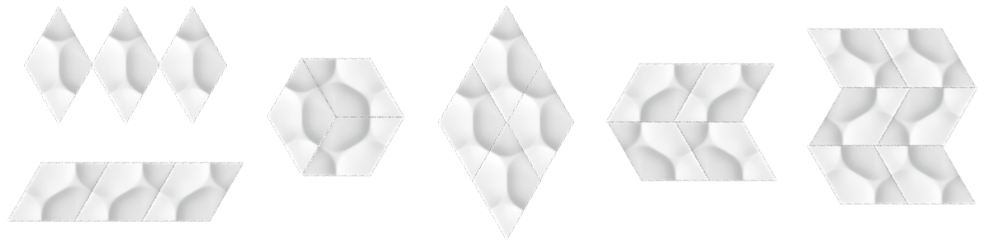
WING

The reference WING can be combined alternately horizontally and vertically.



RAY

The reference RAY is perfectly symmetric and can be combined in different ways.



PUZZLE

The reference PUZZLE can be assembled in many different ways thanks to its unique design.



PREPARATION

- Prepare the tiles, lightly sand edges if necessary with sandpaper (grit 150 or less).
- Wipe edges and panel surface with a damp sponge and dry.
- The finish coating can in most cases be applied to the tiles before assembly (see FINISH).



INSTALLATION

- Measure the wall and establish the position of the ARSTYL® WALL TILES.
- Set out the lower laying line using a spirit level.



- Clamp the adhesive cartridge, cut cartridge nozzle (diameter 5-8 mm).



- Apply a continuous line (bead) of ADEFIX® PLUS mounting adhesive to the rear mounting surfaces (see GLUE CONSUMPTION).



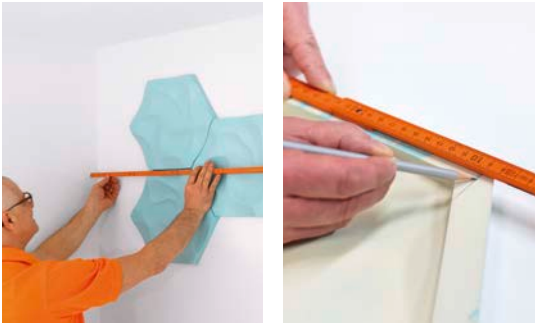
- Position the ARSTYL® WALL TILES and embed them in the adhesive



- Butt-join the ARSTYL® WALL TILES.



Butt joint areas must not be glued or grouted.



INSTALLATION ON A COMPLETE WALL

For a complete wall design with ARSTYL® WALL TILES, the following instructions should be additionally taken into account.

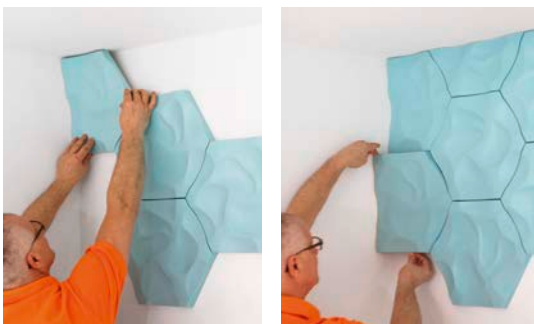
- Measure the wall and establish the position of the ARSTYL® WALL TILES. Set out the lower laying line using a spirit level.
- Measure the size of the ARSTYL® WALL TILES to be trimmed in the wall and ceiling connection area and transfer to the back.



We recommend starting the installation in the middle of the wall, so that the ARSTYL® WALL TILES can later be trimmed to fit where the walls and ceiling meet.



- Cut the ARSTYL® WALL TILES to fit with hand saw and set beam.



- Professionally grout the ceiling and wall connection area with ADEFIX® adhesive filler if necessary.
- The back of the ARSTYL® WALL TILES is uneven and has cavities. If an element is mounted such that a cut-side remains visible, it can be smoothly filled with ADEFIX® PLUS and ADEFIX®. In this case, make sure that the upper surface levelling coat is made only with ADEFIX®.